

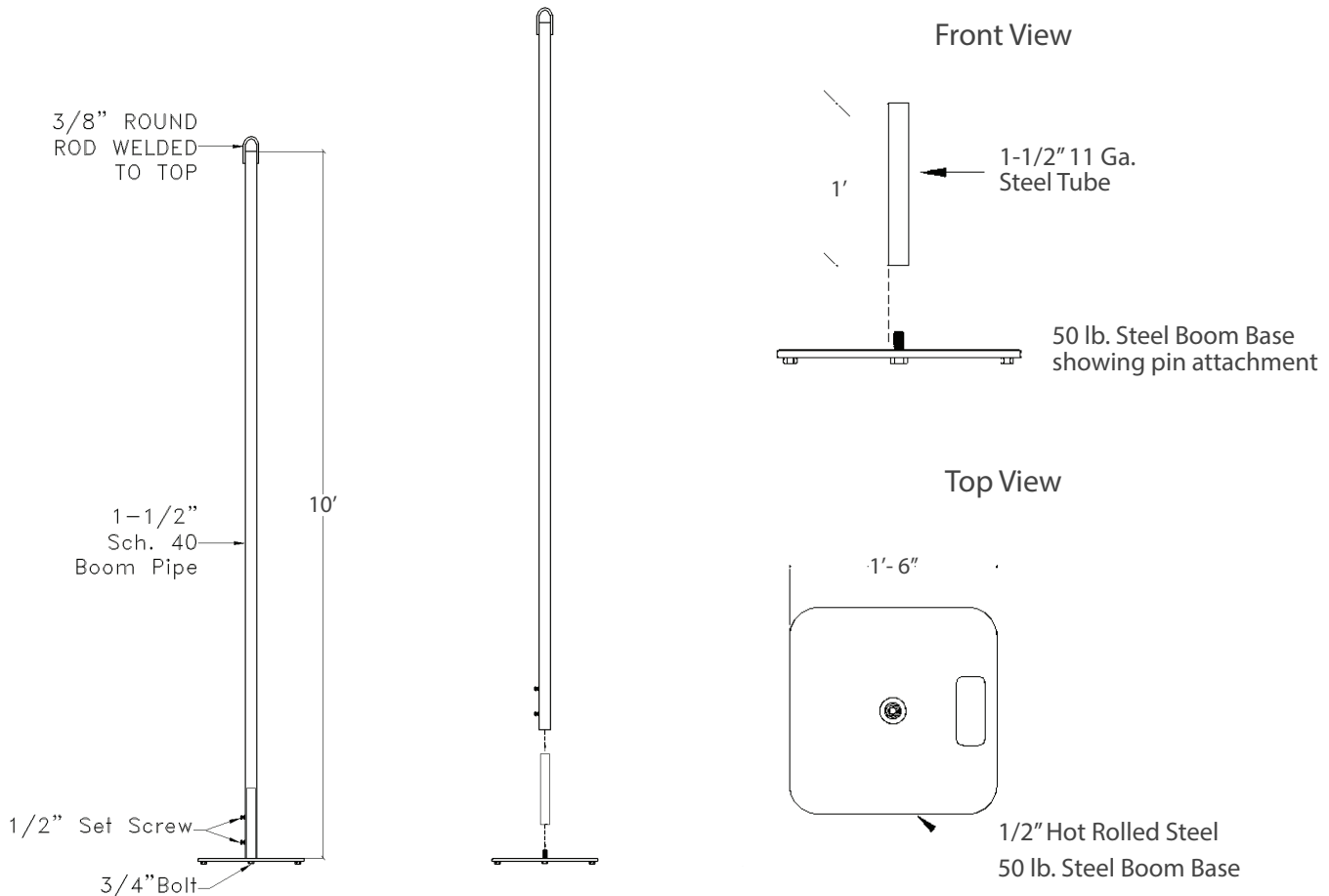
PRODUCTIONS UNLIMITED, INC.

Dance Boom Assembly

About Dance Boom Assembly

Dance Boom Assembly manufactured by Productions Unlimited, Inc. is designed for easy handling, portability, and convenient storage. The unique pin and socket construction is stronger than traditional threaded dance booms.

- Dance Boom Assembly can be disassembled into three basic parts for easy transporting or storage.
- A welded steel loop at the top of the pipe is provided for securing when needed.
- No “threading” of heavy boom pipe is required when assembling.
- 50 lb. base plate provides a handle for carrying.
- Boom pin attaches and detaches easily with a bolt through the bottom plate.
- Boom pipe slides down over the pin and is secured against the pin by two set screws through threaded nuts welded to the boom pipe.
- Boom pipe is available in 8 ft., 10 ft., 12 ft., and custom heights.
- Other plate sizes and weights are available.



A product by:



PRODUCTIONS UNLIMITED, INC.

www.productionsunlimitedinc.com

Toll Free: 844.579.7455