

PRODUCTIONS UNLIMITED, INC.

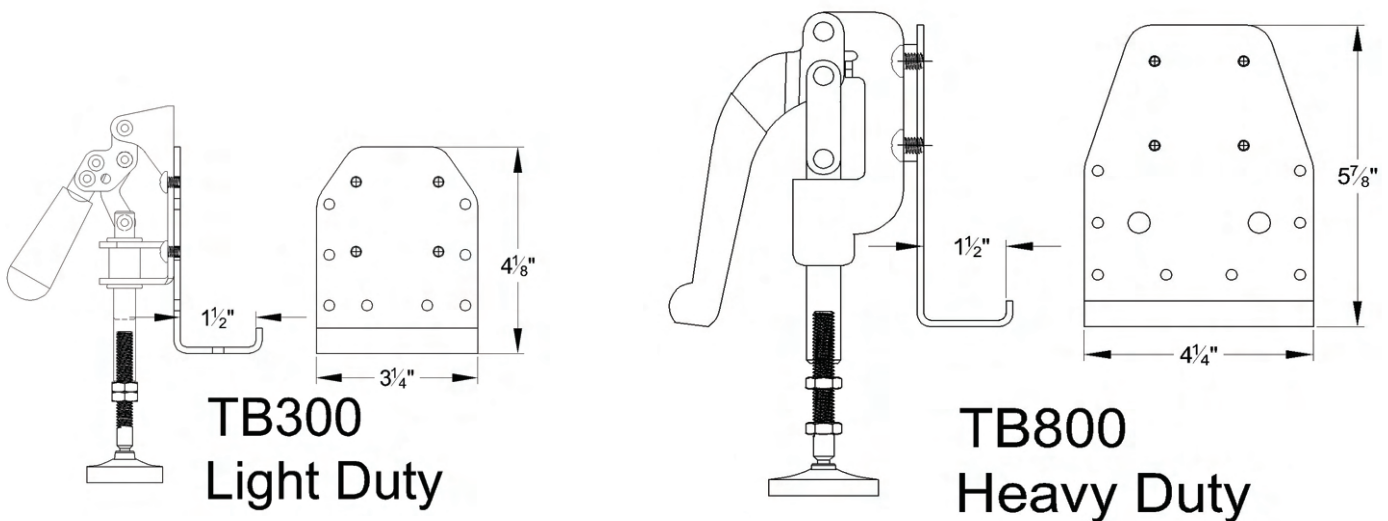
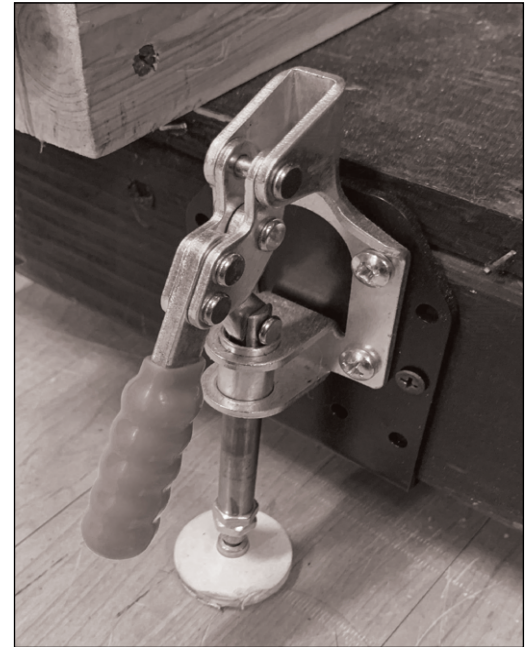
Wagon Brake Bracket

Part Nos. TB300 and TB800

About Wagon Brake Bracket

The Wagon Brake Bracket from Productions Unlimited, Inc. is designed to securely mount a wagon brake to a platform constructed of standard "2by" lumber commonly used to construct theatrical platform for stage wagons. It comes in 2 sizes, designed to be used with our standard 300 lb. and 800 lb. rated wagon brakes.

- "Hook" style allows the bracket to support the weight of the platform and load without imparting that weight to the screws or bolts attaching the bracket.
- Mounting screws provided to fasten the brake to the bracket and allow its removal without removing the bracket from the platform.



TB300
Light Duty

TB800
Heavy Duty

Note: Works with most typical toggle clamp/wagon brakes prevalent in the industry; however, we can only guarantee hole placement for brakes provided by PUI.

A product by:



PRODUCTIONS UNLIMITED, INC.

www.productionsunlimitedinc.com
Toll Free: 844.579.7455