

PRODUCTIONS UNLIMITED, INC.

# Fixture Outrigger Bracket

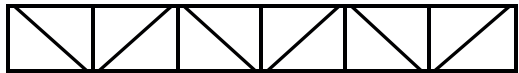
## About Fixture Outrigger Bracket

---

The Fixture Outrigger Bracket from Productions Unlimited, Inc. is the solution for mounting fixtures safely and securely in positions projecting out from catwalks that have guardrails constructed of standard 1-1/2" steel pipe. It takes advantage of the opportunity to mount the vertical bracket anywhere along two horizontal pipes and allows the fixture yoke to hang correctly so as to prevent the fixture from falling out of focus.

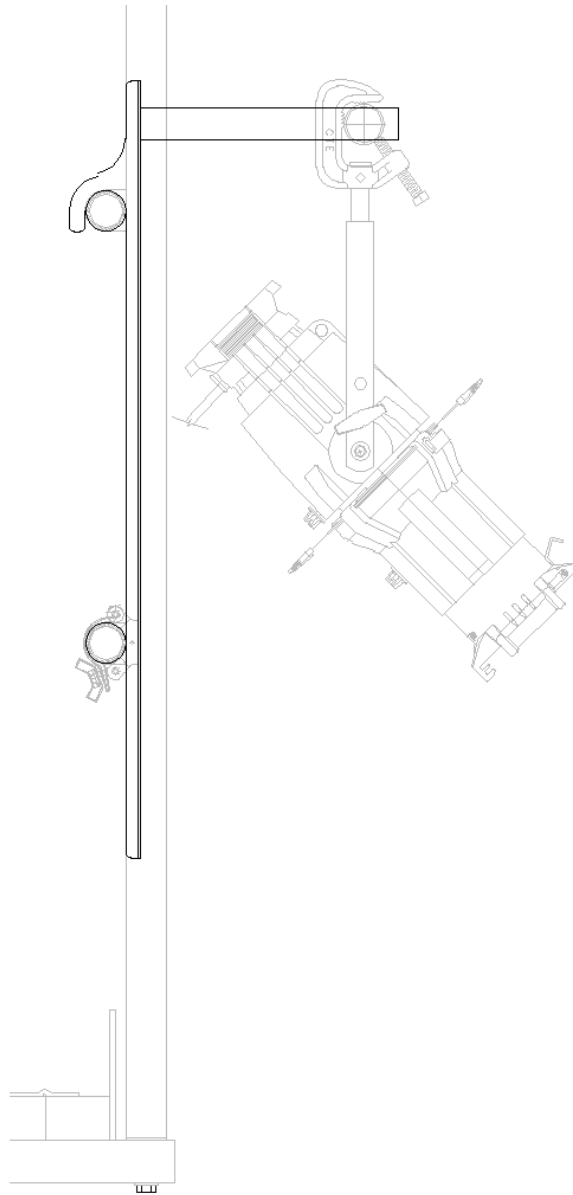
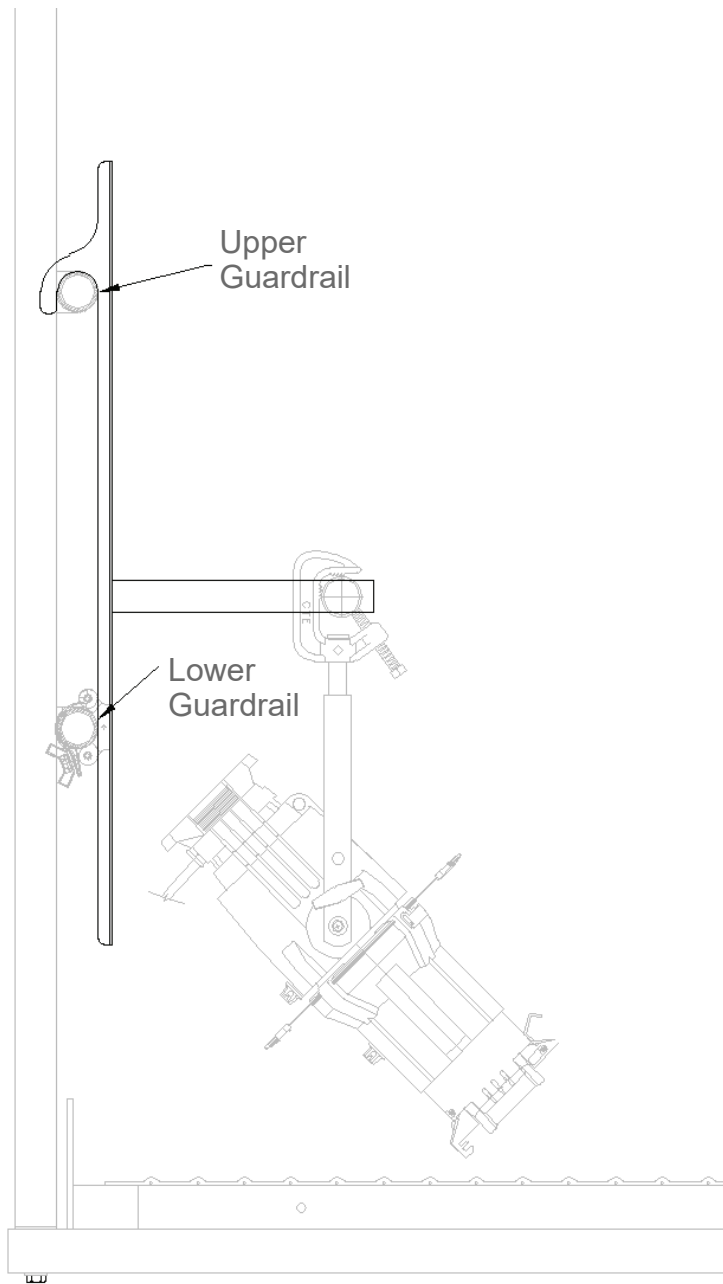
- The bracket is for use on guardrails made from industry standard 1-1/2" pipe.
- The lower railing should be in a range of 16-24" below the upper railing (see image at bottom right).
- The fixture mounting pipe is 1-1/2" Sch 40, 18" in length.
- Mounting holes for the fixture mounting pipe are provided at 2" increments along the vertical bracket.
- Brackets are available in standard duty and heavy duty versions.
- SWL:
  - Standard duty = 75 lbs.
  - Heavy duty = 150 lbs.
- Finish comes in a standard black powder coat or custom colors are available.
- **Note:** The safety cable should be attached to the railing, not the bracket.



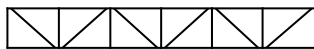


PRODUCTIONS UNLIMITED, INC.

# Fixture Outrigger Bracket



A product by:



PRODUCTIONS UNLIMITED, INC.

[www.productionsunlimitedinc.com](http://www.productionsunlimitedinc.com)

Toll Free: 844.579.7455