



Tdeck+[®]

Stage Decks

A product of:



PRODUCTIONS UNLIMITED, INC.

Table of Contents

About Tdeck+®	2
Rim Joists	3-4
End Frames	5
Interior Joists	6-7
Corner Brackets	8-9
Accessories	10-13
Hardware	14
Assembly Instructions	15-20



Assembled 4x8 Tdeck+® frame with a black powder coat finish and pipe legs

About Tdeck+[®]

Stage Decks

Tdeck+[®] is an innovative new product that allows Technical Directors and Scenic Designers to focus on the more artistic levels of the production rather than the mundane construction of wagons and risers.

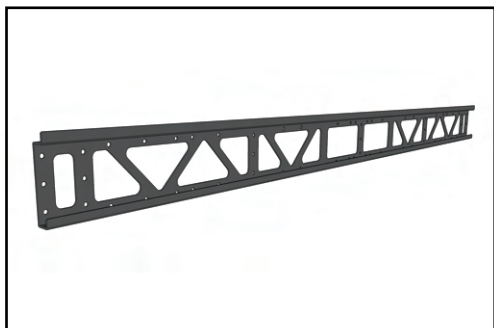
Tdeck+[®] employs a modular design, allowing for the pieces to be combined into a nearly endless possibility of sizes. Standard sizes are available in one foot increments up to a 4x8 deck, and the decks can be combined through the use of marriage brackets. Custom lengths can be fabricated as well.

The modular design allows the pieces to be flat pack shipped, helping to cut down on shipping costs. Legs and deck surfaces can easily be supplied by the user, making the decks even more customizable. Standard finishes are clear zinc and black powder coat, but pieces can be powder coated any color upon request and for an upcharge.

Browse through our catalog to see the options we have available. If you have any questions or need any help figuring out your Tdeck+[®] needs, please don't hesitate to contact us. We'll be more than happy to provide you with a custom solution!

Pricing is subject to change at any time and without notice. Please contact us at info@productionsunlimitedinc.com or 844-579-7455 for any updated pricing and a specific quote.

Rim Joists (Sides)



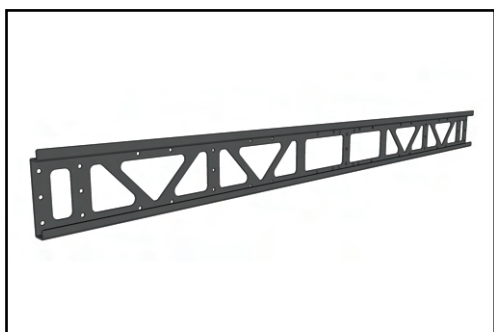
8' Rim Joist

P/N#: TD-RJ8

Price: \$170

This 8-foot side section supports the long edge of a deck. The two rectangular holes allow for ease of using a forklift to move a deck (requires TD-FB). All necessary hardware is included with other pieces.

Dims: 96" (L) x 1.25" (W) x 6.625" (H)	Weight: 16 lbs
--	----------------



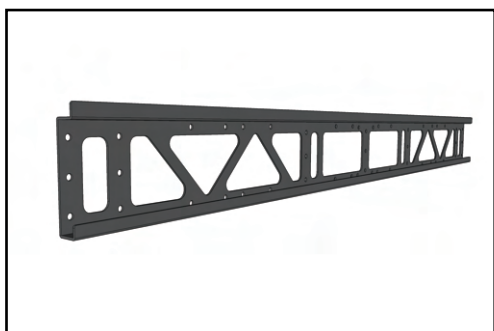
7' Rim Joist

P/N#: TD-RJ7

Price: \$169

This 7-foot side section supports the long edge of a deck. The two rectangular holes allow for ease of using a forklift to move a deck (requires TD-FB). All necessary hardware is included with other pieces.

Dims: 84" (L) x 1.25" (W) x 6.625" (H)	Weight: 14 lbs
--	----------------



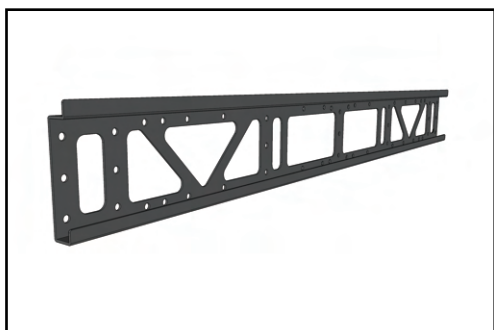
6' Rim Joist

P/N#: TD-RJ6

Price: \$155

This 6-foot side section supports the long edge of a deck. The two rectangular holes allow for ease of using a forklift to move a deck (requires TD-FB). All necessary hardware is included with other pieces.

Dims: 72" (L) x 1.25" (W) x 6.625" (H)	Weight: 12.5 lbs
--	------------------



5' Rim Joist

P/N#: TD-RJ5

Price: \$132

This 5-foot side section supports the long edge of a deck. The two rectangular holes allow for ease of using a forklift to move a deck (requires TD-FB). All necessary hardware is included with other pieces.

Dims: 60" (L) x 1.25" (W) x 6.625" (H)	Weight: 10 lbs
--	----------------

Rim Joists (Sides)



4' Rim Joist

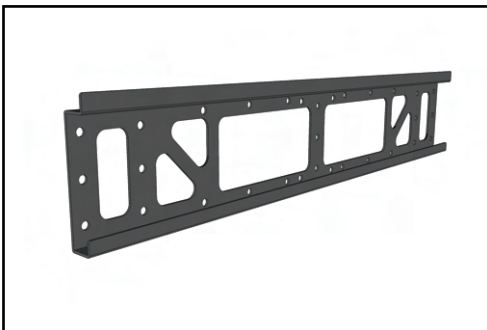
P/N#: TD-RJ4

Price: \$97

This 4-foot side section supports the long edge of a deck. The two rectangular holes allow for ease of using a forklift to move a deck (requires TD-FB). All necessary hardware is included with other pieces.

Dims: 48" (L) x 1.25" (W) x 6.625" (H)

Weight: 8.1 lbs



3' Rim Joist

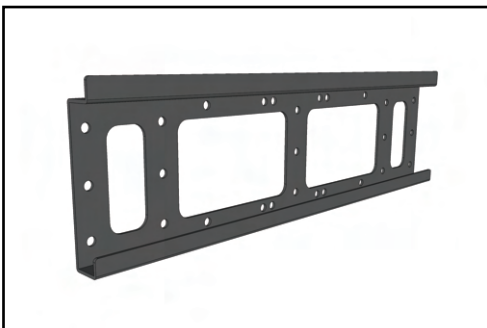
P/N#: TD-RJ3

Price: \$91

This 3-foot side section supports the long edge of a deck. The two rectangular holes allow for ease of using a forklift to move a deck (requires TD-FB). All necessary hardware is included with other pieces.

Dims: 36" (L) x 1.25" (W) x 6.625" (H)

Weight: 6 lbs



2' Rim Joist

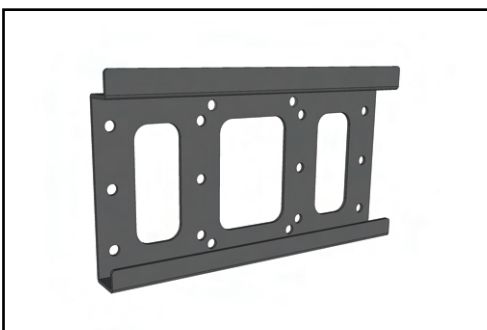
P/N#: TD-RJ2

Price: \$71

This 2-foot side section supports the long edge of a deck. The two rectangular holes allow for ease of using a forklift to move a deck (requires TD-FB). All necessary hardware is included with other pieces.

Dims: 24" (L) x 1.25" (W) x 6.625" (H)

Weight: 4.5 lbs



1' Rim Joist

P/N#: TD-RJ1

Price: \$62

This 1-foot side section supports the long edge of a deck. The 1' Rim Joist does not allow for forklift tines to pass through this piece. All necessary hardware is included with other pieces.

Dims: 12" (L) x 1.25" (W) x 6.625" (H)

Weight: 2 lbs

End Frames



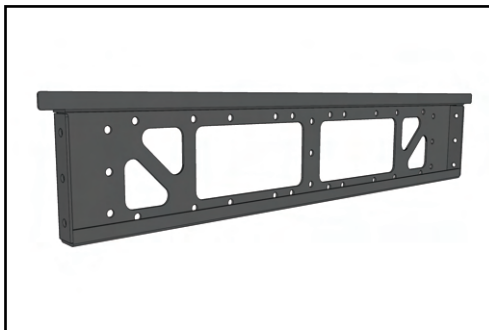
4' End Frame

P/N#: TD-EF4

Price: \$110

This 4-foot end section supports the short side of a deck. The two rectangular holes allow for ease of using a forklift to move a deck (requires TD-FB). Includes six 3/8" bolts and flange nuts to connect to rim joists.

Dims: 47.75" (L) x 1.25" (W) x 6.625" (H) | Weight: 8.2 lbs



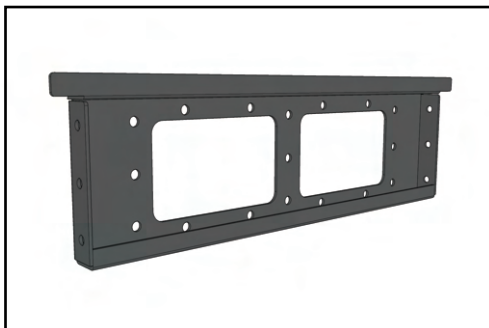
3' End Frame

P/N#: TD-EF3

Price: \$102

This 3-foot end section supports the short side of a deck. The two rectangular holes allow for ease of using a forklift to move a deck (requires TD-FB). Includes six 3/8" bolts and flange nuts to connect to rim joists.

Dims: 35.75" (L) x 1.25" (W) x 6.625" (H) | Weight: 6 lbs



2' End Frame

P/N#: TD-EF2

Price: \$81

This 2-foot end section supports the short side of a deck. The two rectangular holes allow for ease of using a forklift to move a deck (requires TD-FB). Includes six 3/8" bolts and flange nuts to connect to rim joists.

Dims: 23.75" (L) x 1.25" (W) x 6.625" (H) | Weight: 4 lbs



1' End Frame

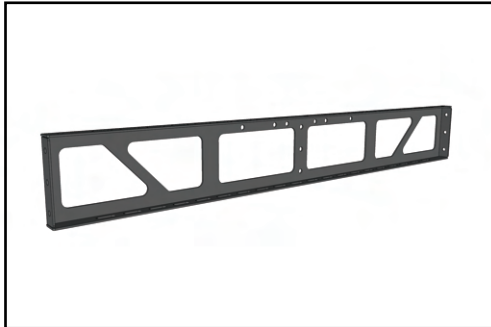
P/N#: TD-EF1

Price: \$61

This 1-foot end section supports the short side of a deck. The 1' End Frame does not allow for forklift tines to pass through this piece. Includes six 3/8" bolts and flange nuts to connect to rim joists.

Dims: 11.75" (L) x 1.25" (W) x 6.625" (H) | Weight: 2 lbs

Interior Joists



4' Full Middle Joist

P/N#: TD-MJ4

Price: \$103

This 4-foot crosspiece supports the deck surface and provides stability to the frame. Can be used on any 4' wide deck (see Table 1). Includes six 3/8" bolts and flange nuts to connect to rim joists.

Dims: 45.5" (L) x 1.25" (W) x 6" (H)

Weight: 6.2 lbs



4' Cut Middle Joist

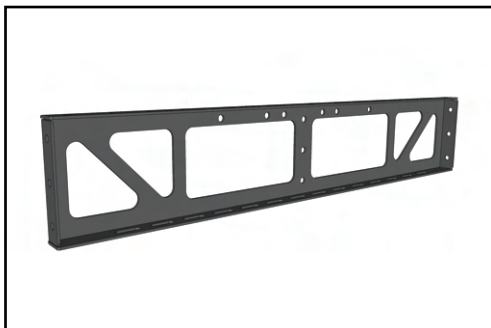
P/N#: TD-CJ4

Price: \$88

This 4-foot support piece may be used on 7' and 8' long decks for the two non-centered crosspieces. All other situations require TD-MJ4 (see Table 1). Includes six 3/8" bolts and flange nuts to connect to rim joists.

Dims: 45.5" (L) x 1.25" (W) x 6" (H)

Weight: 4.5 lbs



3' Full Middle Joist

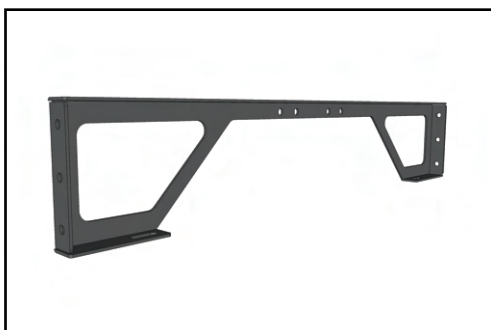
P/N#: TD-MJ3

Price: \$86

This 3-foot crosspiece supports the deck surface and provides stability to the frame. Can be used on any 3' wide deck (see Table 1). Includes six 3/8" bolts and flange nuts to connect to rim joists.

Dims: 33.5" (L) x 1.25" (W) x 6" (H)

Weight: 4.9 lbs



3' Cut Middle Joist

P/N#: TD-CJ3

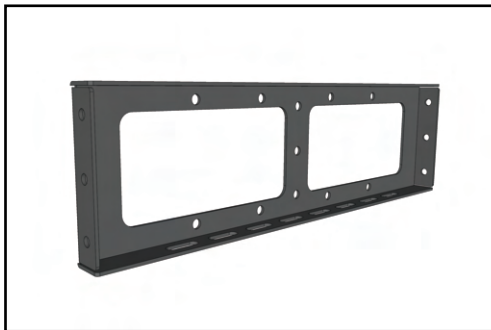
Price: \$73

This 3-foot support piece may be used on 7' and 8' long decks for the two non-centered crosspieces. All other situations require TD-MJ3 (see Table 1). Includes six 3/8" bolts and flange nuts to connect to rim joists.

Dims: 33.5" (L) x 1.25" (W) x 6" (H)

Weight: 3.9 lbs

Interior Joists



2' Middle Joist

P/N#: TD-MJ2

Price: \$67

This 2-foot crosspiece supports the deck surface and provides stability to the frame. Can be used on any 2' wide deck (see Table 1). Includes six 3/8" bolts and flange nuts to connect to rim joists.

Dims: 21.5" (L) x 1.25" (W) x 6" (H)

Weight: 3 lbs



1' Middle Joist

P/N#: TD-MJ1

Price: \$47

This 1-foot crosspiece supports the deck surface and provides stability to the frame. Can be used on any 1' wide deck (see Table 1). Includes six 3/8" bolts and flange nuts to connect to rim joists.

Dims: 9.5" (L) x 1.25" (W) x 6" (H)

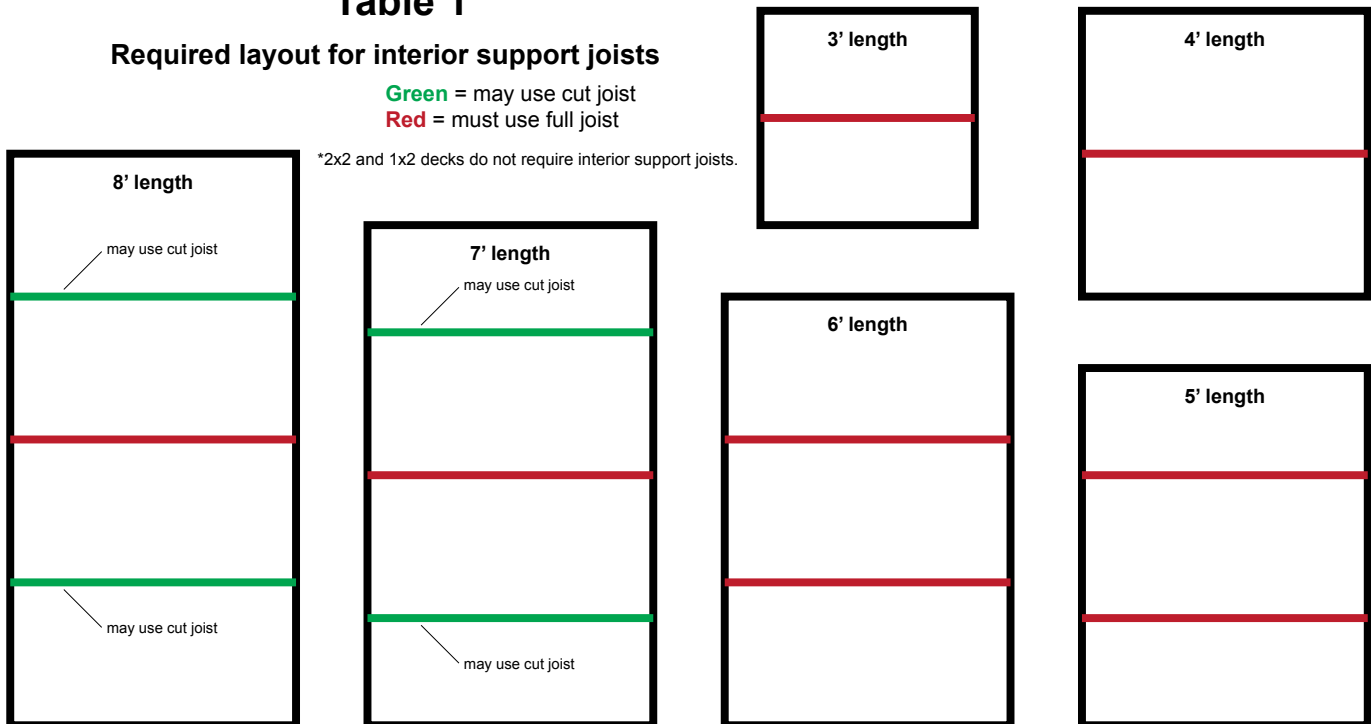
Weight: 1.5 lbs

Table 1

Required layout for interior support joists

Green = may use cut joist
Red = must use full joist

*2x2 and 1x2 decks do not require interior support joists.



Corner Brackets



Pipe Leg Bracket

P/N#: TD-CBP

Price: \$66

This bracket provides stability to the corner of the deck as well as a socket for use with 1.5" Sch. 40 steel pipe legs. Includes six 3/8" bolts and flange nuts to connect with rim joist and end frame, as well as two bolts to secure pipe leg.

Dims: 3" (L) x 3" (W) x 5.875" (H)

Weight: 3.5 lbs



Pipe Leg Pass-Thru

P/N#: TD-CBPP

Price: \$66

Same as TD-CBP, but allows pipe leg to pass through. Includes six 3/8" bolts and flange nuts to connect with rim joist and end frame, as well as two bolts to secure pipe leg.

Dims: 3" (L) x 3" (W) x 5.5" (H)

Weight: 3.2 lbs



2x4 Leg Bracket

P/N#: TD-CB24

Price: \$77

This bracket provides stability to the corner of the deck as well as a socket for use with nominal 2x4 wood legs (user must provide their own). Includes six 3/8" bolts and flange nuts to connect with rim joist and end frame.

Dims: 4" (L) x 2.9375" (W) x 5.75" (H)

Weight: 3.2 lbs



2x4 Leg Pass-Thru

P/N#: TD-CB24P

Price: \$77

Same as TD-CB24, but allows the nominal 2x4 leg to pass through. Includes six 3/8" bolts and flange nuts to connect with rim joist and end frame.

Dims: 4" (L) x 2.9375" (W) x 5.625" (H)

Weight: 3 lbs

Corner Brackets



4x4 Leg Bracket

P/N#: TD-CB44

Price: \$106

This bracket provides stability to the corner of the deck as well as a socket for use with nominal 4x4 wood legs (user must provide their own). Includes six 3/8" bolts and flange nuts to connect with rim joist and end frame.

Dims: 4" (L) x 4" (W) x 5.75" (H)

Weight: 4.5 lbs



4x4 Leg Pass-Thru

P/N#: TD-CB44P

Price: \$106

Same as TD-CB44, but allows the nominal 4x4 leg to pass through. Includes six 3/8" bolts and flange nuts to connect with rim joist and end frame.

Dims: 4" (L) x 4" (W) x 5.625" (H)

Weight: 4.2 lbs



Caster Bracket

P/N#: TD-CBC

Price: \$73

This bracket provides stability to the corner of the deck and is made to hold an 8" heavy duty caster. Includes eight 3/8" bolts and flange nuts to connect with rim joist and end frame, as well as one bolt to secure caster in place.

Dims: 8.75" (L) x 8.75" (W) x 5.875" (H)

Weight: 7 lbs



Corner Bracket

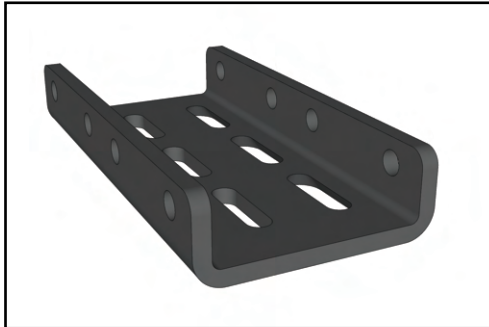
P/N#: TD-CB

Price: \$47

This bracket is required to provide stability to the corner of the deck when no legs are being used. Includes six 3/8" bolts and flange nuts to connect with rim joist and end frame.

Dims: 3" (L) x 3" (W) x 5.5" (H)

Weight: 2 lbs



Marriage Bracket

P/N#: TD-MB2

Price: \$44

This bracket connects two adjacent decks, providing extra stability and reducing the number of legs needed (see Table 2 below). Includes necessary hardware to connect with rim joist or end frame.

Dims: 7" (L) x 3.5" (W) x 1.25" (H)

Weight: 2.5 lbs



Pipe Leg

P/N#: TD-PL(xx)

Price: \$8.50/ft

1.5" Sch. 40 steel pipe leg, where xx = number of inches for deck height (e.g., TD-PL24 = 24" high deck). Hardware is included with TD-CBP. See Table 2 below for number of legs needed when using marriage brackets to join decks.

Dims: 1.9" OD x various length

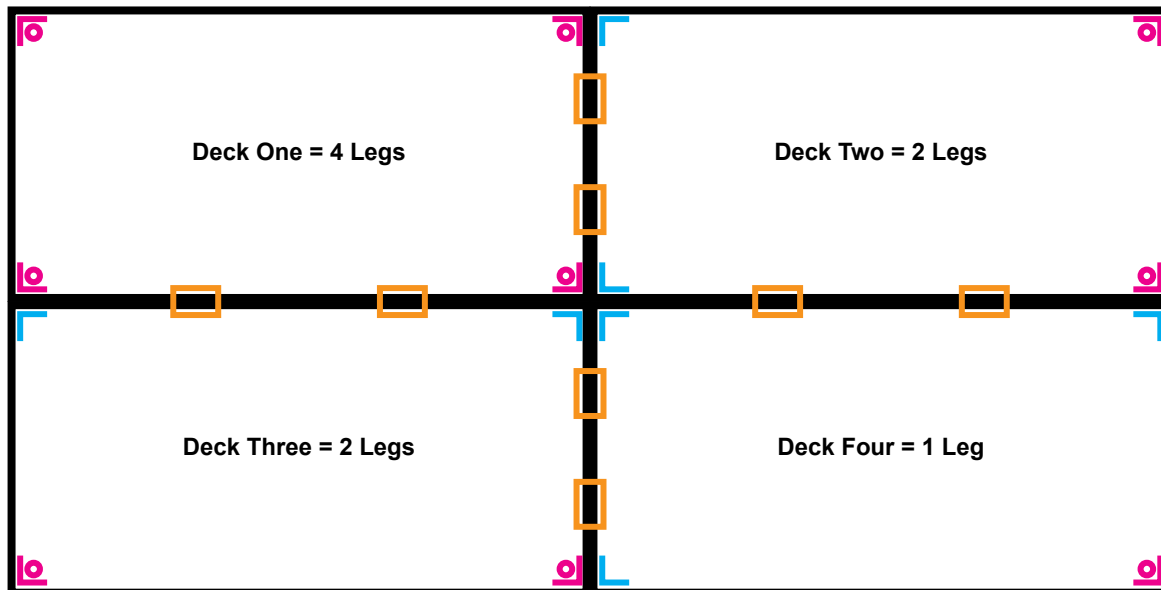
Weight: 2.7 lbs/ft

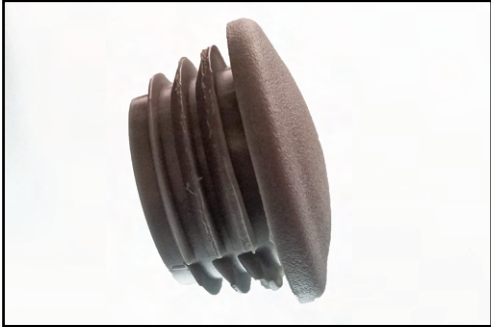
Table 2

Leg layout for joining decks with marriage brackets

(4x8 decks shown, interior joists required, but not drawn in this example)

◻ = corner bracket with leg
 ◻ = corner bracket no leg
 ◻ = marriage bracket





Pipe Leg End Cap

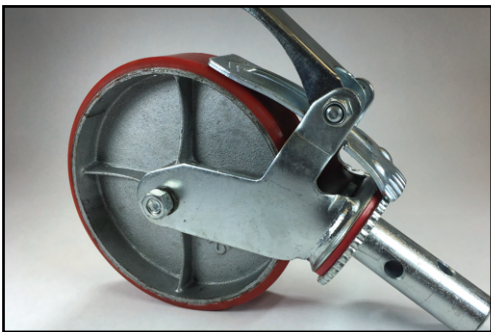
P/N#: TD-PLC

Price: \$4

Snap-in round plug for the end of pipe legs, providing a buffer between the pipe leg and your floor.

Dims: 1.75" Diameter x 0.6" (H)

Weight: .1 lbs



8" Swivel Caster

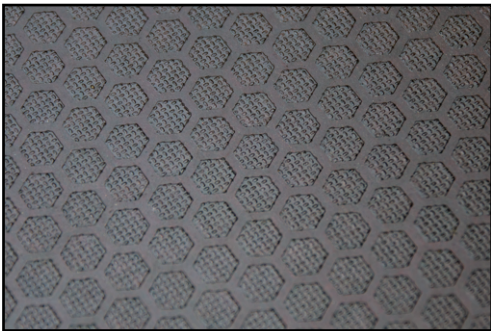
P/N#: TD-8C

Price: \$66

Heavy duty scaffold caster with 8" wheel. Meets ANSI, CSA, and OSHA standards. 1,100 lb capacity.

Dims: 14" (L) x 14" (W) x 13" (H)

Weight: 11 lbs



Hex Grip Plywood

P/N#: TD-SWHB

Price: \$179

4x8 WISA-Hexa Grip plywood panel, coated with a dark brown film and imprinted with a hexagonal pattern. Wear resistant and slip resistant.

Dims: 96" (L) x 48" (W) x 0.708" (H)

Weight: 81 lbs



Fork Bracket

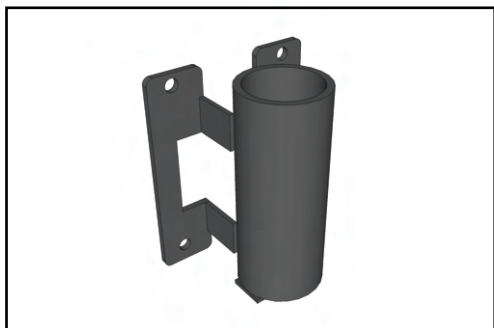
P/N#: TD-FB

Price: \$18

This bracket attaches above the forklift holes on the rim joists and end frames, providing reinforcement for when a forklift is used to move a deck. Includes two 3/8" bolts.

Dims: 8" (L) x 1" (W) x 1" (H)

Weight: .33 lbs



Pipe Handrail Bracket P/N#: TD-HBP Price: \$56

This bracket attaches to the outside of the rim joist or end frame, providing a pocket for using 1.5" pipe as a vertical handrail support. Includes six 3/8" bolts with flange nuts.

Dims: 4.5" (L) x 3.75" (W) x 5.5" (H)

Weight: 3 lbs

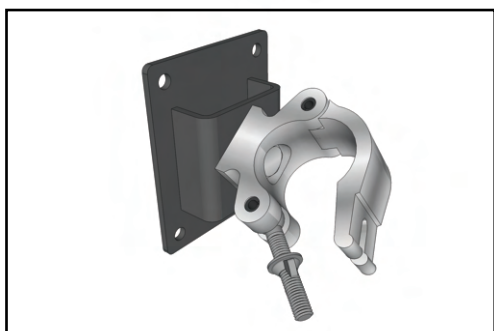


2x4 Handrail Bracket P/N#: TD-HB24 Price: \$72

This bracket attaches to the outside of the rim joist or end frame, providing a pocket for using a piece of nominal 2x4 as a vertical handrail support. Includes four 3/8" bolts with flange nuts.

Dims: 4.5" (L) x 3.5" (W) x 5.5" (H)

Weight: 4 lbs

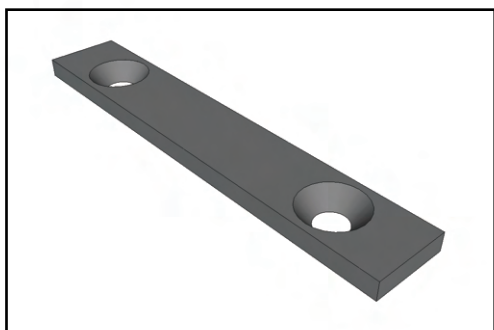


Pipe Clamp Bracket P/N#: TD-CHZ Price: \$48

This bracket attaches to the outside of the rim joist or end frame, providing a cheeseborough clamp for using 1.5" pipe as a vertical handrail support. Allows for a single pipe to pass through to different levels. Includes hardware.

Dims: 4.5" (L) x 4.75" (W) x 5.5" (H)

Weight: 3.25 lbs



Leveling Bracket P/N#: TD-LB Price: \$9

This bracket is used to raise one side of a deck when storing decks that have a marriage bracket attached to the opposite side. Includes hardware for attaching to rim joist or end frame.

Dims: 7" (L) x 1" (W) x 0.25" (H)

Weight: .2 lbs



Aluminum Channel **P/N#: TD-ARC** **Price: \$9**

Reinforcement channel made from Aluminum that attaches underneath the deck surface to provide extra strength to the deck (see Table 3). Includes six screws.

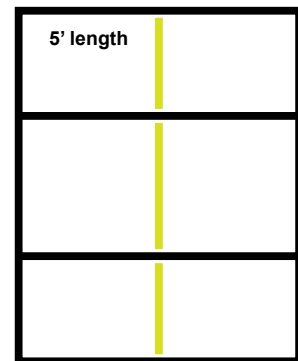
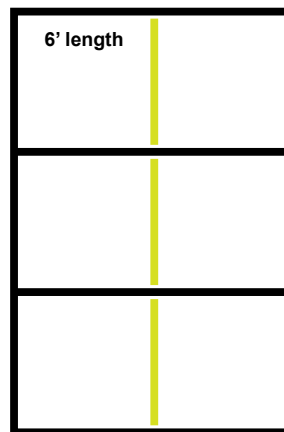
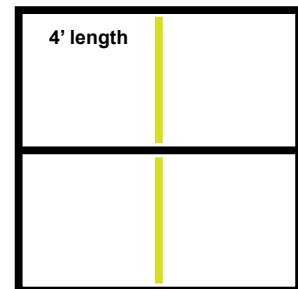
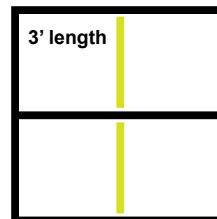
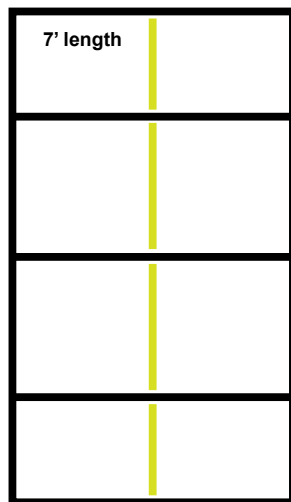
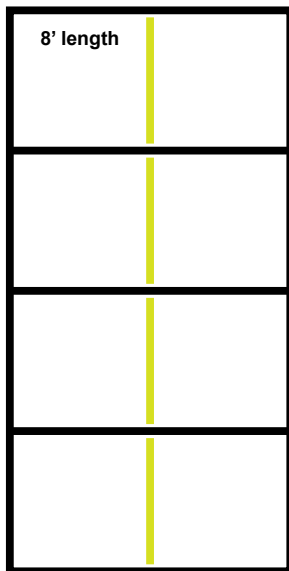
Dims: 22" (L) x 1" (W) x 1" (H)

Weight: .75 lbs

Table 3

Use of Aluminum Reinforcement Channel

= TD-ARC attached to underside of deck surface



All hardware necessary to assemble a deck is included with the individual pieces. Should you need spare hardware, you may order the following:

P/N#: TD-FFA Price: \$36

For full 7' or 8' deck length, no corner brackets
(32) 3/8"-16 x 1" socket head screws w/ flange nuts
(5) 1/4"-20 x 1-1/4" flat head screws w/ flange nuts
(40) #10 x 3/4" flanged Phillips screws

P/N#: TD-FFB Price: \$30

For full 5' or 6' deck length, no corner brackets
(26) 3/8"-16 x 1" socket head screws w/ flange nuts
(5) 1/4"-20 x 1-1/4" flat head screws w/ flange nuts
(31) #10 x 3/4" flanged Phillips screws

P/N#: TD-FFC Price: \$24

For full 3' or 4' deck length, no corner brackets
(20) 3/8"-16 x 1" socket head screws w/ flange nuts
(5) 1/4"-20 x 1-1/4" flat head screws w/ flange nuts
(22) #10 x 3/4" flanged Phillips screws

P/N#: TD-FFD Price: \$18

For full 1' or 2' deck length, no corner brackets
(14) 3/8"-16 x 1" socket head screws w/ flange nuts
(5) 1/4"-20 x 1-1/4" flat head screws w/ flange nuts
(13) #10 x 3/4" flanged Phillips screws

P/N#: TD-FP-01 Price: \$2

For TD-ARC
(7) #10 x 3/4" flanged Phillips screws

P/N#: TD-FP-02 Price: \$4

For TD-SWHB or other surface material
(5) 1/4"-20 x 1-1/4" flat head screws w/ flange nuts

P/N#: TD-FP-03 Price: \$7

For TD-CB, TD-CBP, and TD-CBPP
(8) 3/8"-16 x 1" socket head screws w/ flange nuts

P/N#: TD-FP-04 Price: \$8

For TD-CBC
(10) 3/8"-16 x 1" socket head screws w/ flange nuts

P/N#: TD-FP-05 Price: \$7

For TD-CB24
(4) 3/8"-16 x 1" socket head screws
(4) 3/8"-16 x 1" flat cap socket screws
(8) 3/8"-16 flange nuts

P/N#: TD-FP-06 Price: \$6

For TD-CB44
(7) 3/8"-16 x 1" flat cap socket screws w/ flange nuts

P/N#: TD-FP-07 Price: \$5

For TD-HBP, TD-HBPP, TD-HB24, and TD-CHZ
(6) 3/8"-16 x 1" socket head screws w/ flange nuts

P/N#: TD-FP-08 Price: \$5

For TD-MB2
(3) 3/8"-16 x 1" socket head screws w/ flange nuts
(3) 3/8"-16 x 1" flat cap socket screws w/ flange nuts

P/N#: TD-FP-09 Price: \$4

For two pieces of TD-FB
(5) 3/8"-16 x 1" socket head screws w/ flange nuts

P/N#: TD-FP-10 Price: \$4

For two pieces of TD-LB
(5) 3/8"-16 x 1" flat cap socket screws w/ flange nuts

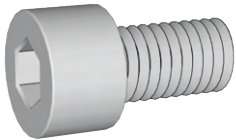
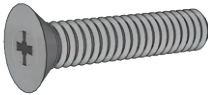
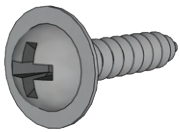
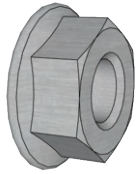

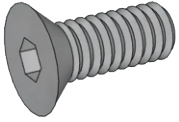
Stage Decks

TOOLS REQUIRED:

- 3/8" ratchet with 5/16" Allen wrench attachment (preferably 5-1/2" long)
- 9/16" open end wrench
- 7/16" open end wrench
- #2 Phillips head screwdriver with 8" long shaft
- Drill and countersink for 1/4"-20 bolts
- Saw for cutting deck surface material

PIECES AND HARDWARE REQUIRED TO ASSEMBLE A STANDARD DECK:

- (2) Rim Joists, must be the same length
- (2) End Frames, must be the same length
- Interior Joists as required, same length as End Frames, see Table 1 on page 7 for details
- (4) Corner Brackets, do not need to be the same, see Table 2 on page 10 for details
- Aluminum Reinforcement Channel as required, see Table 3 on page 13 for details
- Marriage Brackets, Fork Brackets, and Leveling Brackets, if desired
- 3/8"-16 x 1" socket head screws, quantity varies by size of deck [Figure A.1]
- 3/8"-16 flange nuts, quantity varies by size of deck [Figure A.2]
- (4) 1/4"-20 x 1-1/4" Phillips flat head screws [Figure A.3]
- (4) 1/4"-20 flange nuts [Figure A.4]
- Deck surface material as desired, 3/4" nominal thickness (may also use thicker material)
- #10 x 3/4" flanged Phillips screws, quantity varies by size of deck [Figure A.5]
- 3/8"-16 x 1" flat cap socket screws as needed if using TD-LB, TD-MB2, TD-CB24, or TD-CB44 [Figure A.6]

 <p>A.1 3/8"-16 x 1" socket head screw</p>	 <p>A.3 1/4"-20 x 1-1/4" Phillips flat head screw</p>	 <p>A.5 #10 x 3/4" flanged Phillips screw</p>
 <p>A.2 3/8"-16 flange nut</p>	 <p>A.4 1/4"-20 flange nut</p>	 <p>A.6 3/8"-16 x 1" flat cap socket screw</p>

STEP ONE:

Attach the End Frames and any required Interior Joists to one of the Rim Joists, using (3) 3/8"-16 x 1" socket head screws and (3) 3/8"-16 flange nuts at each joint. [See Figure B]

NOTE: DO NOT fully tighten the bolts at this point.

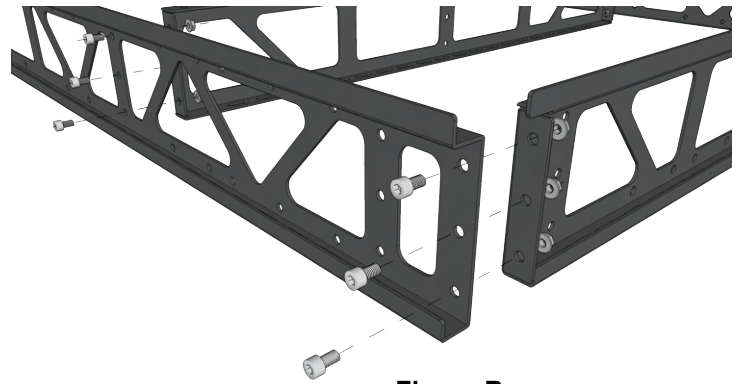


Figure B

STEP TWO:

Attach the second Rim Joist to the assembly, again using (3) 3/8"-16 x 1" socket head screws and (3) 3/8"-16 flange nuts at each joint. Once all joists are connected, tighten bolts to a recommended torque of 20 foot-pounds. When tightening the corners, ensure the edges are properly aligned [see Figures C.1 and C.2].

Edges match up
Correct alignment

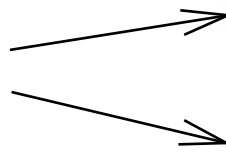


Figure C.1

Edges do not match up
Incorrect alignment

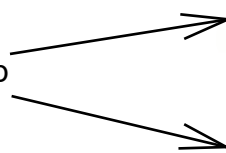
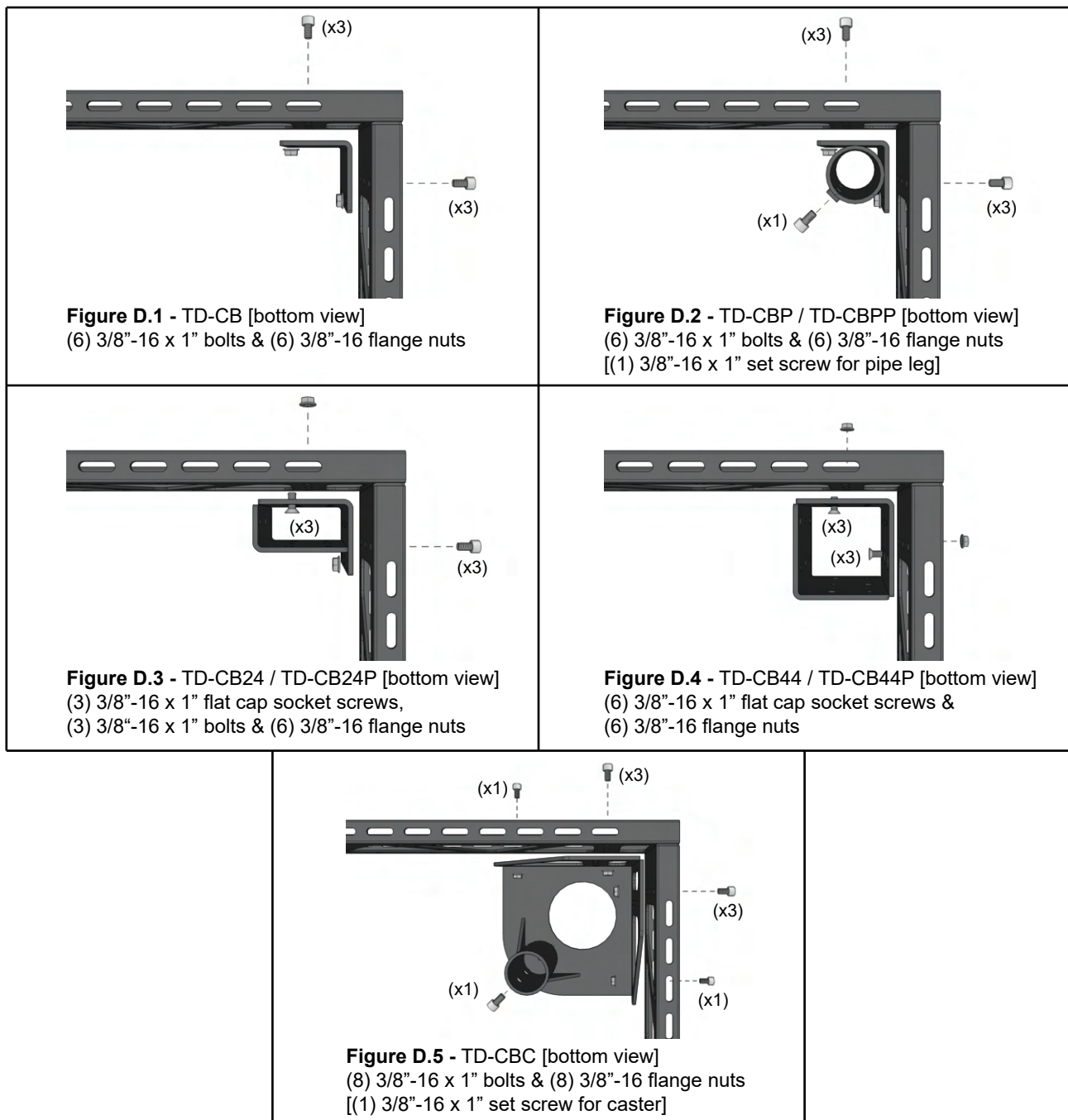


Figure C.2

STEP THREE:

Install the (4) corner brackets with the required hardware as per the figures below.



STEP FOUR:

Cut your deck surface to size. Measure the inside lip of the top of the deck frame to confirm what size the deck surface needs to be. The surface should be a solid nominal 3/4" thick material, cut approximately 5/16" shorter than both the length and width of the frame (e.g., the surface of a 4x8 deck will be around 95-11/16" x 47-11/16").

STEP FIVE:

Check the fit of your deck surface in the frame. Lay out (4) holes in the corners of the deck surface for the 1/4"-20 Phillips flat head screws to line up with the holes in the lip of the Rim Joists. The center of these holes should be approximately 7/8" in from the short sides of the deck surface (End Frame edge) and 1/2" in from the long sides of the deck surface (Rim Joist edge) [see Figure E.1]. Drill the (4) holes and countersink the holes with the countersink facing up. Place the surface into the frame and bolt together using the (4) 1/4"-20 x 1-1/4" Phillips flat head screws and (4) 1/4"-20 flange nuts [see Figure E.2].

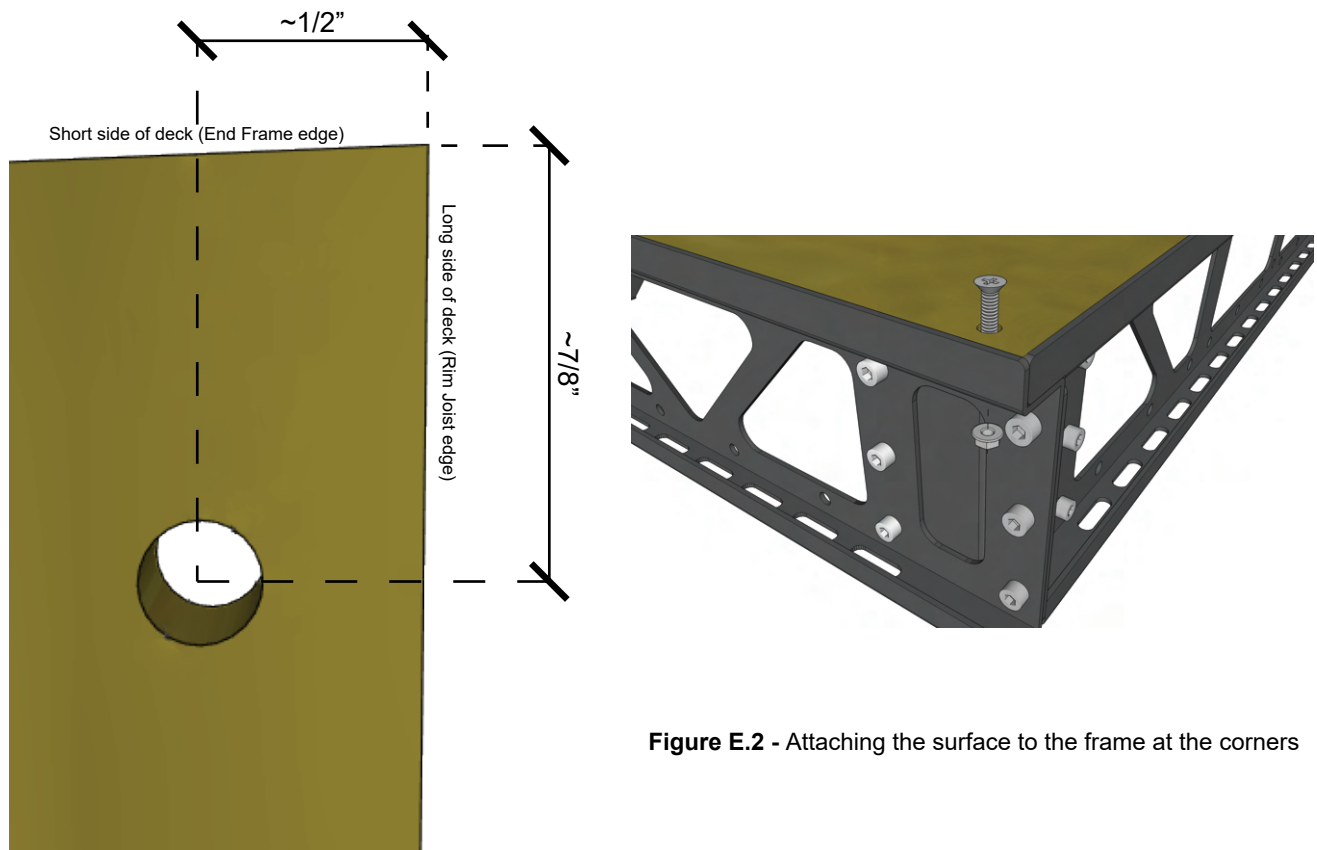


Figure E.2 - Attaching the surface to the frame at the corners

STEP SIX:

Turn the entire assembly upside down. Per Figures F.1 and F.2, use the #10 x 3/4" flanged Phillips screws to further secure the surface to the frame and attach any required Aluminum Reinforcement Channels [see Table 3 on page 13].

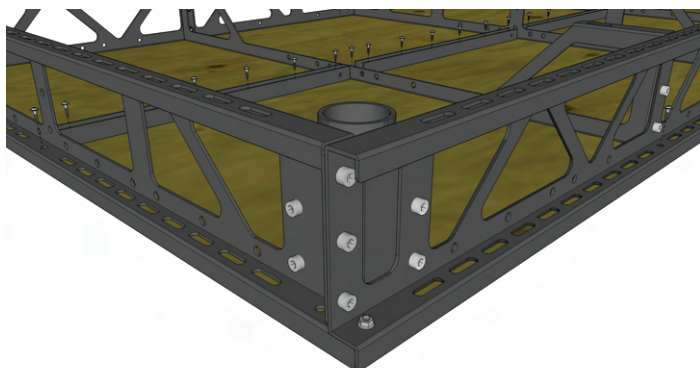


Figure F.1 - #10 x 3/4" flanged Phillips screws attach around the edge of the deck, as well as in the Aluminum Reinforcement Channels.



Figure F.2 - #10 x 3/4" flanged Phillips screws shown attaching to Aluminum Reinforcement Channels. Note that one is also placed through the center hole of the Interior Joist.

LEGS & ACCESSORIES:

You are now ready to put legs on your deck. Nominal 2x4 and 4x4 wood legs must be supplied by the end user. Pipe legs and casters are available from Productions Unlimited, Inc. or users may supply their own. Pipe legs (1.5" Sch. 40 pipe) up to 5' may be used without any cross bracing. When using pipe legs or casters, be sure to use the 3/8"-16 x 1" socket head screw as a set screw to hold the legs in place.

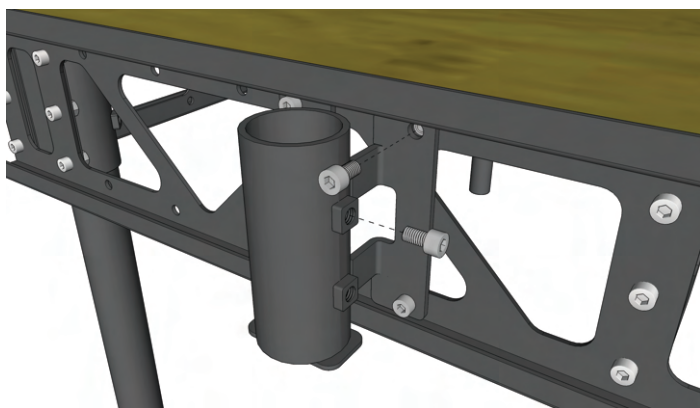


Figure G - Pipe Handrail Bracket attaching to the deck

Handrail Brackets:

Handrail Brackets provide a pocket, clamp, or pass through for vertical handrail support, and attach to Rim Joists or End Frames as shown in Figure G. All Handrail Brackets require (4) 3/8"-16 x 1" socket head screws and (4) 3/8"-16 flange nuts. The Pipe Handrail Bracket as shown in Figure G also requires (1) 3/8"-16 x 1" socket head screw as a set screw.

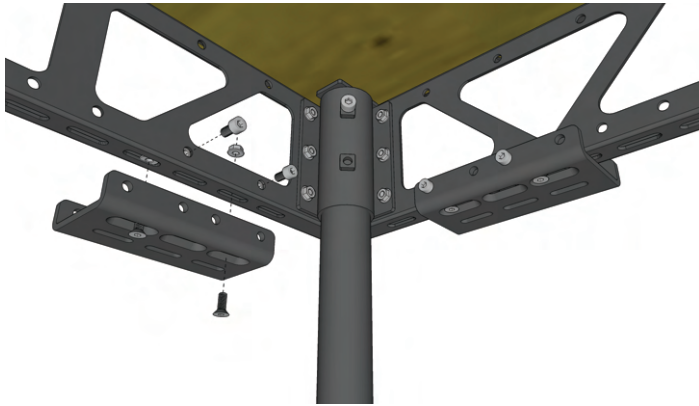


Figure H - Attaching the Marriage Brackets to the deck

Marriage Brackets:

Marriage Brackets are used to connect multiple decks together, strengthening the system and reducing the number of legs required [see Table 2 on page 10]. See Figure H for details on how to attach Marriage Brackets to the Rim Joists and End Frames. Requires 3/8"-16 x 1" socket head screws and flat cap socket screws as well as 3/8"-16 flange nuts.

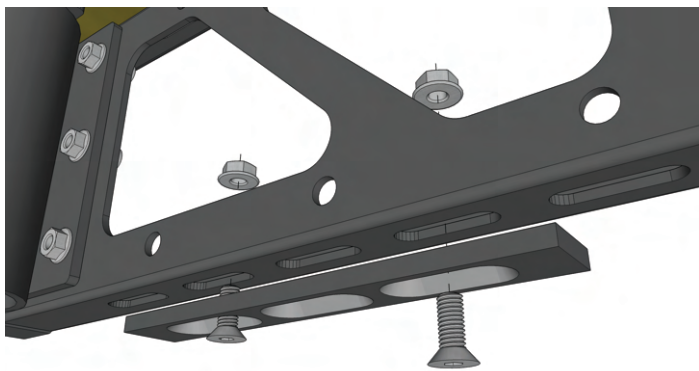


Figure I - Leveling Bracket attaching to bottom of frame

Leveling Brackets:

Leveling Brackets are used if you are storing decks that also have Marriage Brackets attached. The Leveling Bracket are attached to the bottom of Rim Joists and End Frames on opposite sides from where the Marriage Brackets are attached. This allows the decks to sit flat in storage. Requires (2) 3/8"-16 x 1" flat cap socket screws and (2) 3/8"-16 flange nuts. [See Figure I]

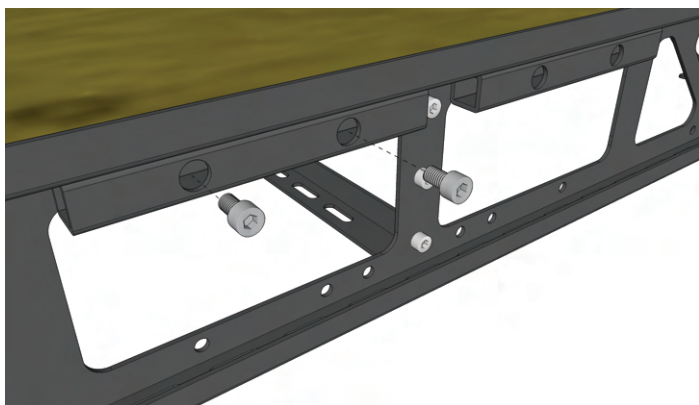


Figure J - Fork Brackets attach above the rectangular holes

Fork Brackets:

Fork Brackets attach directly above the rectangular holes on the Rim Joists and End Frames. Only needed if you plan on using a forklift to move the deck. Requires (2) 3/8"-16 x 1" socket head screws and (2) 3/8"-16 flange nuts. [See Figure J]

WARNING: Do NOT attempt to move a deck with a forklift without using the Fork Brackets. This can damage the Rim Joists and End Frames.

Tdeck+[®]

Stage Decks

A product of:



PRODUCTIONS UNLIMITED, INC.

U.S. Patents 9,631,385 & 10,221,581
Canadian Patent 2,933,878

175 Old Airport Road
Roebuck, SC 29376
Phone: 864-675-6146 | Toll Free: 844-579-7455
www.productionsunlimitedinc.com